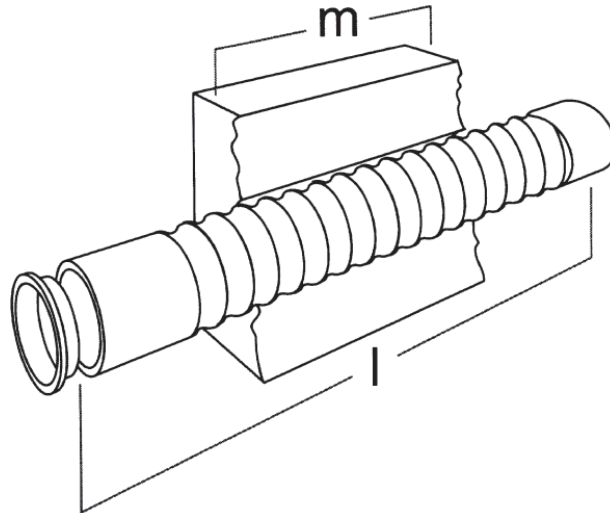


Wall Ducts SMD



heat shrink technique



Wall Duct	Dimensions (mm)		
	Range of Application (cable diameter)	Wall Thickness max. m*	Lenght l
SMD 14/8	8 – 14	500	800
SMD 26/12	12 – 26	500	800
SMD 41/16	16 – 41	500	800
SMD 54/26	26 – 54	500	800

* In case of walls > 500 mm you have to connect two wall ducts.

Application

Wall ducts are used to seal energy and control cables where they pass through a brick or concrete wall.