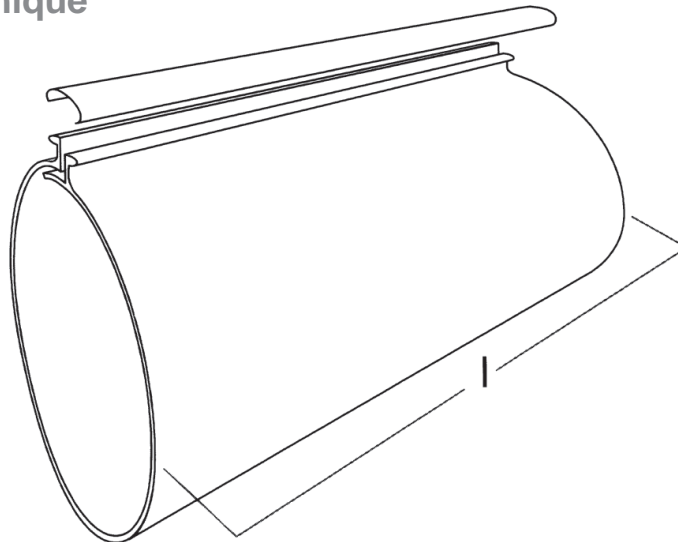


Repair Sleeves SRM



heat shrink technique



Repair Sleeve	Range of Application Ø (mm)	Wall Thickness W (mm) - after free contraction -	Available Lengths l (mm)
SRM 28/10 - 750	28 – 10	2,3	750 *
SRM 43/12 - 750	43 – 12	3,4	750 *
SRM 72/18 - 750	72 – 18	3,4	750 *
SRM 93/26 - 750	93 – 26	3,4	750 *
SRM 115/30 - 750	115 – 30	2,3	750 *
SRM 125/32 - 750	125 – 32	2,3	750 *

* other lengths on request

Application

Repair sleeves are used for a fast and durable repair of damaged cable sheaths. They guarantee a watertight and insulation restoring repair.