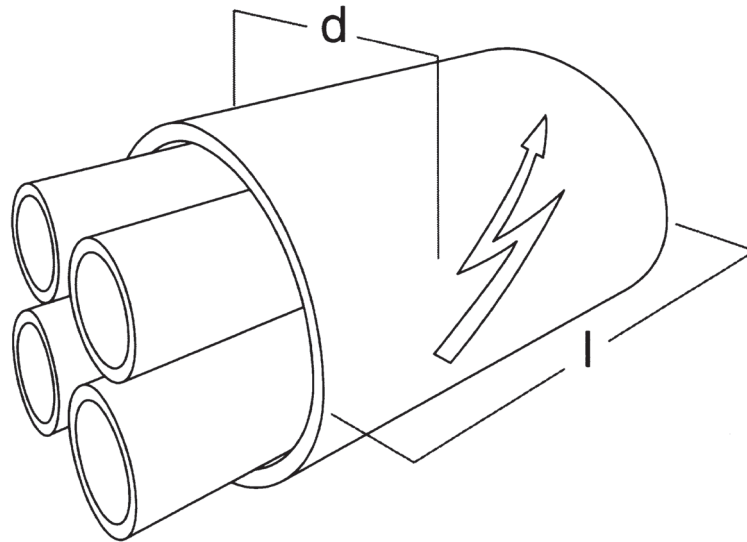


# 1 kV Voltage Proof End Caps SEM



heat shrink technique



Cable Cross Section	Joint Type	Dimensions (mm)	
		l	d
6 – 25	SEM 6-25/4-K	ca. 100	15 – 35
35 – 150	SEM 35-150/4-K	ca. 150	25 – 55
185 – 300	SEM 185-300/4-K	ca. 160	30 – 75

## Cables

e.g. N(A)YY, N(A)2X2Y, N(A)YCWY  
with PVC or PE/XLPE insulation.

## Specification

- 4 inner-caps
- outer-cap with voltage sign
- installation instructions