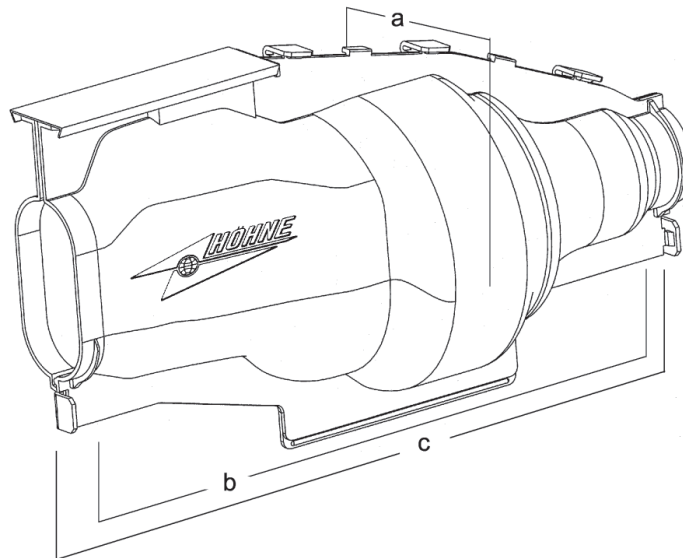


# 1 kV Branch Joint HSM



resin technique

HSM 420/170



Main Cable according to DIN/TGL			Branch Cable according to DIN/TGL		
Type	Cross Section (mm <sup>2</sup> )	max. Diameter	Type	Cross Section (mm <sup>2</sup> )	max. Diameter
N(A)YY, N(A)Y2Y NA2XY, NA2X2Y	4 x 120* to 4 x 185	51 mm	N(A)YY, N(A)Y2Y NA2XY, NA2X2Y	4 x 95* to 4 x 150	46 mm

\* smaller cross-sections with accessories possible

Joint box Type	Dimensions (mm)			Joint box	Resin Net Weight	Gross Weight
	a = Ø	b	c			
HSM 420/170	170	370	420	4930 cm <sup>3</sup>	5,20 kg	6,80 kg

## Characteristic

Optimized standard joint box with low volume, minimum sealing effort, always exact placement on the cables.

By application of the quality management system in accordance with DIN EN ISO 9001:2000 the quality of our products is guaranteed.

## Handling

By few and simple mounting steps a fast and operator-safe assembly of the joint box is ensured.

## Specification

- two-part, transparent shell
- PUR and hardener in tins or alternatively in double-chamber bags
- sealings
- stirring spatula (for tins)
- emery cloth
- protection gloves
- installation instructions

## Application

The joint box is suitable for use with all available cable ring connectors.

## Quality

The joint box is system-tested according to VDE 0278 part of 1 and 3 respectively hp 623. Our cast resins fulfill the requirements of VDE 0291 part of 2 respectively hp 631.1.