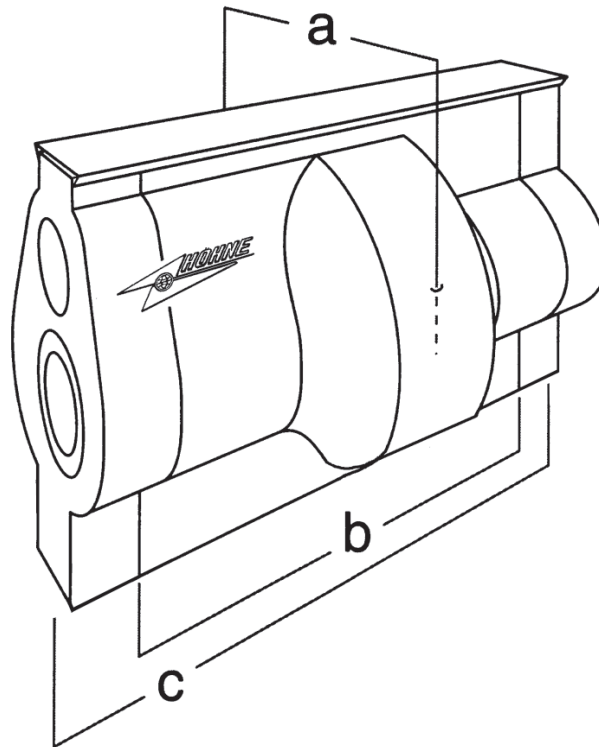


1 kV Branch Joint HSM



resin technique

HSM 280/140



Main Cable according to DIN/TGL			Branch Cable according to DIN/TGL		
Type	Cross Section (mm ²)	Cable-Ø max.	Type	Cross Section (mm ²)	Cable-Ø max.
N(A)YY, N(A)Y2Y, NA2XY, NA2X2Y	4 x 35 to 4 x 185	47 mm	N(A)YY, N(A)Y2Y, NA2XY, NA2X2Y	4 x 16 to 4 x 70	32 mm

Joint box Type	Dimensions (mm)			Joint Box Volume	Resin Net Weight	Gross Weight (packed set)
	a= Ø	b	c			
HSM 280/140	140	230	280	2300 cm ³	2,4 kg	3,5 kg

Handling

By few and simple mounting steps a fast and operator-safe assembly of the joint box is ensured.

Application

The joint box is suitable for use with all available cable ring connectors.

Quality

The joint box is system-tested according to VDE 0278 part of 1 and 3 respectively hp 623. Our cast resins fulfill the requirements of VDE 0291 part of 2 respectively hp 631.1.

By application of the quality management system in accordance with DIN EN ISO 9001:2000 the quality of our products is guaranteed.

Specification

- two-part, transparent shell
- PUR and hardener in tins or alternatively in double-chamber bags
- stirring spatula (for tins)
- sealings
- emery cloth
- protection gloves
- installation instructions