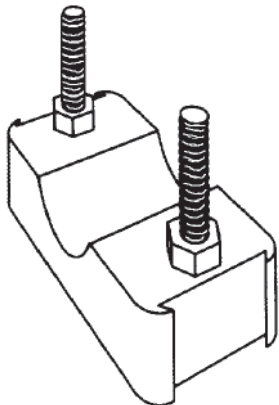
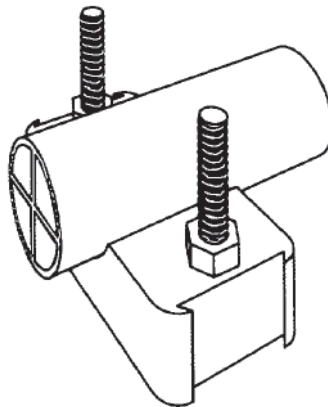


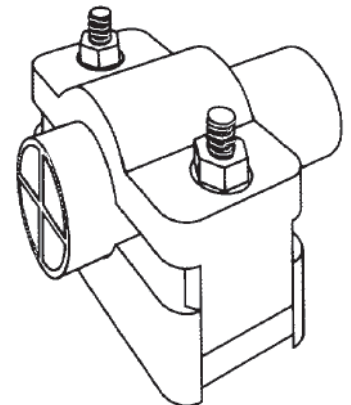
Cable Fixing Clamps BS, BS-L and BBS



Premounting of the base part...



...easy cable positioning...



...the cable can be moved until the screws are fastened.

Clamp Construction

The Hoehne cable fixing clamps are made of glass-fiber reinforced special plastic, which exhibits a high mechanical strength and a very good age stability. The clamps are ozone and UV resistant. The wide cable bed is corner and edge-free; thus the specific surface-pressure to the cable is limited to a minimum.

The base part of the clamps can be pre-mounted. Therefore a problem-free and fixed connection of the base with the lower construction is possible without putting excessive pressure to the cable.

A large number of fixing material (screws, etc.) can be provided with the cable fixing clamps.

Application

According to the different clamps a difference of cable diameter ranges of 8 - 30 mm is possible.

The clamps can be used in a temperature range from -40°C to +130°C without negative effect to the mechanical stability and can therefore be used for XLPE insulated cables for emergency operation.

They show a high mechanical stability and heat shape resistance. They are suitable for single core cables with sensitive outer conductive layers.

Selection Criteria

The diameter ranges of the clamp sizes indicate in each case the smallest and largest diameter of the cable, which can be fixed with the clamp. In case of a range overlap the smaller clamp should be selected (e.g. for 49 mm BS 35-50, not BS 49-66).

The type BS-L was developed particularly for the construction of switchgears and is characterised by a compact building. This makes even with narrow pole spacings a short circuit proof fixing of the cables possible.

Material

Polyamide, glass fibre reinforced

Tensile strength: 150 N/mm²

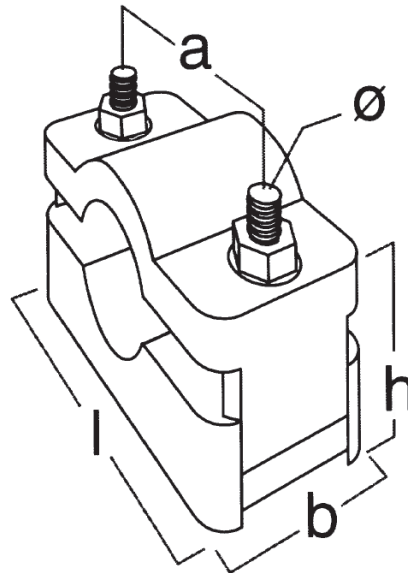
Dilatation: 0,01 % / 10°C

flame adverse class IIa (VDE 0304 part 3)

Accessories

On request we supply the fixing material made of V2A steel in various types (cylinder head screws, hexagon head screw, Halfen screws, etc.)

Cable Fixing Clamps BS



Cable Diameter (mm)	Clamp Type	l (mm)	b (mm)	h (mm)	a (mm)	Ø (mm)
25 bis 38	BS 25-38	98	60	40 - 53	70	11
35 bis 50	BS 35-50	117	60	44 - 59	90	11
49 bis 66	BS 49-66	141	80	53 - 70	110	13
65 bis 85	BS 65-85	161	80	63 - 83	130	13
87 bis 106	BS 87-106	190	80	76 - 95	155	13
100 bis 130	BS 100-130	210	98	110 - 130	175	15

Application

The types BS are characterized by a very stable construction and will suit harder requirements.

The clamps type BS are constructed bigger and larger. Typically, they are used on pylons, in switchgears and in transforming stations.

Accessories

Available mounting material:

BS 25-38

Hexagonal screws M10 x 70 V2A
 Halfen-screws 28/15 M10 x 60 V2A
 Halfen-screws 40/22 M0 x 80 galv.

BS 35-50

Hexagonal screws M10 x 80 V2A
 Halfen-screws 28/15 M10 x 80 V2A
 Halfen-screws 40/22 M10 x 80 galv.

BS 49-66

Hexagonal screws M10 x 80 / 90 / 100 V2A
 Halfen-screws 28/15 M10 x 60 V2A

BS 65-85

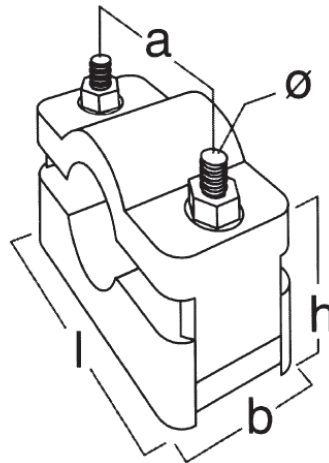
Hexagonal screws M12 x 100 V2A

BS 100 - 130

Hexagonal screws M12 x 140 V2A

Further mounting material on request.

Cable Fixing Clamps BS-L



Cable Diameter (mm)	Clamp Type	l (mm)	b (mm)	h (mm)	a (mm)	Ø (mm)
18 bis 26	BS-L 18-26	63	32	26 - 34	44	6,5
3 x 18 bis 26	BS-3L 18-26	144	32	27 - 35	3 x 42	6,5
25 bis 38	BS-L 25-38	72	32	33 - 46	52	7
30 bis 46	BS-L 30-46	100	42	36 - 52	75	9
35 bis 50	BS-L 35-50	100	42	38 - 53	75	9
49 bis 66	BS-L 49-66	120	55	53 - 70	94	11

Application

The types BS-L are characterized by a compact construction and are used for applications in switchgears.

The clamps type BS-L are constructed in a compact way and have a smaller cable bed. They are used in narrow spaces e.g. inside switchgears.

The type BS-3L 18-26 is a triple clamp where 3 cables next to each other can be fixed.

Accessories

Available mounting material:

BS-L 18-26

Hexagonal screws
Halfen-screws 28/15

M6x 55 / 60 V2A
M6 x 60 galv.

BS-3L 18-26

Hexagonal screws
Halfen-screws 28/15

M6x 60 V2A
M6 x 60 galv.

BS-L 25-38

Hexagonal screws
Halfen-screws 28/15

M6 x 55 / 60 / 70 V2A
M6 x 60 galv.

BS-L 30-46

Hexagonal screws
Halfen-screws 28/15

M8 x 70 V2A
M8 x 70 V2A

BS-L 35-50

Hexagonal screws
Halfen-screws 28/15

M8 x 65 / 70 / 75 / 80V2A
M8 x 70 V2A

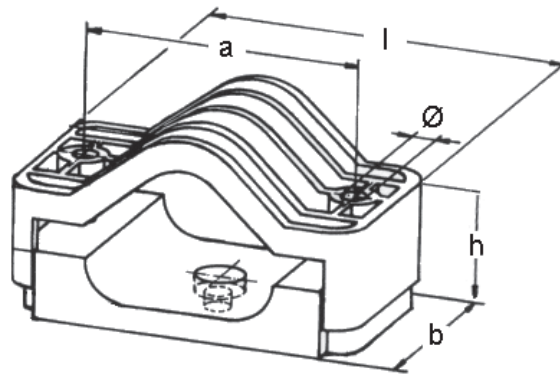
BS-L 49-66

Hexagonal screws
Halfen-screws 28/15

M10 x 80 V2A
M10 x 80 V2A

Further mounting material on request.

Cable Fixing Clamps BBS



Cable Diameter (mm)	Clamp Type	l (mm)	b (mm)	h (mm)	a (mm)	Ø (mm)
25 bis 36	BBS 25-36	150	80	50 - 75	110	13
33 bis 46	BBS 33-46	170	80	50 - 75	130	13

Application

The types BBS are used for fixing 3 single core cables in a triangle position.

The bases are equipped with hexagon M10 to protect from twisting. The additional middle hole makes it possible to fix the clamps directly to bar or wooden poles.

Mechanical resistance to short-circuits

12500 N

Accessories

Available mounting material:

BBS 25-36

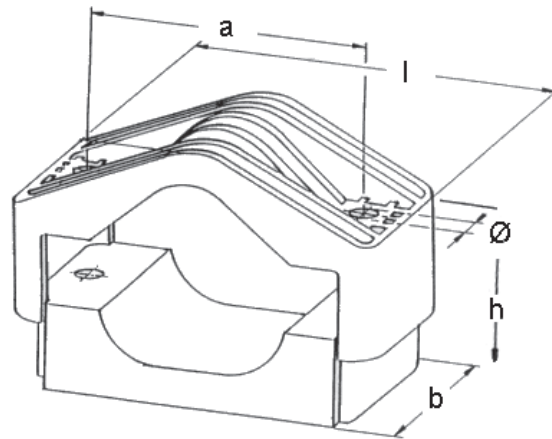
Hexagonal screws	M10 x 100 V2A
Halfen-screws 28/15	M10 x 80 V2A
Halfen-screws 40/22	M12 x 100 galv.

BBS 33-46

Hexagonal screws	M10 x 100 V2A
Halfen-screws 28/15	M10 x 80 V2A
Halfen-screws 40/22	M10 x 100 galv.

Further mounting material on request.

Cable Fixing Clamps KP



Cable Diameter (mm)	Clamp Type	l (mm)	b (mm)	h (mm)	a (mm)	Ø (mm)
29 bis 41	KP 29-41	172	80	60 - 90	125	15
39 bis 53	KP 39-53	190	80	63 - 93	140	15

Application

The types KP are used for fixing 3 single core cables in a triangle position with higher short circuit resistance.

Mechanical resistance to short-circuits

25000 N

Accessories

Available mounting material:

KP 29-41

Hexagonal screws

M12 x 100 / 130 V2A

Halfen-screws 40/22

M12 x 125 galv.

KP 39-53

Hexagonal screws

M12 x 100 / 130 V2A

Halfen-screws 40/22

M12 x 125 galv.

Further mounting material on request.