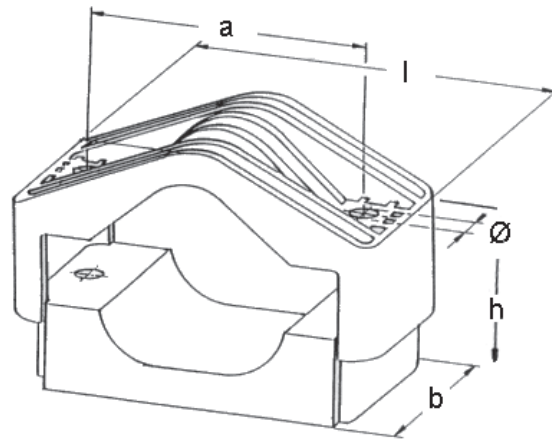


Cable Fixing Clamps KP



Cable Diameter (mm)	Clamp Type	l (mm)	b (mm)	h (mm)	a (mm)	Ø (mm)
29 bis 41	KP 29-41	172	80	60 - 90	125	15
39 bis 53	KP 39-53	190	80	63 - 93	140	15

Application

The types KP are used for fixing 3 single core cables in a triangle position with higher short circuit resistance.

Mechanical resistance to short-circuits

25000 N

Accessories

Available mounting material:

KP 29-41

Hexagonal screws

M12 x 100 / 130 V2A

Halfen-screws 40/22

M12 x 125 galv.

KP 39-53

Hexagonal screws

M12 x 100 / 130 V2A

Halfen-screws 40/22

M12 x 125 galv.

Further mounting material on request.