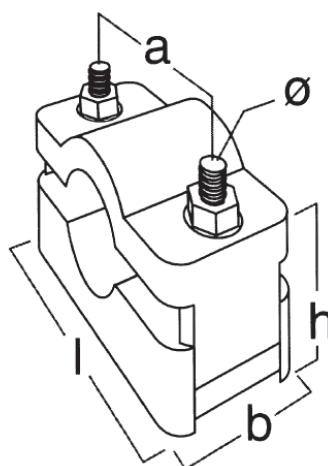


Cable Fixing Clamps BS-L



Cable Diameter (mm)	Clamp Type	l (mm)	b (mm)	h (mm)	a (mm)	Ø (mm)
18 bis 26	BS-L 18-26	63	32	26 - 34	44	6,5
3 x 18 bis 26	BS-3L 18-26	144	32	27 - 35	3 x 42	6,5
25 bis 38	BS-L 25-38	72	32	33 - 46	52	7
30 bis 46	BS-L 30-46	100	42	36 - 52	75	9
35 bis 50	BS-L 35-50	100	42	38 - 53	75	9
49 bis 66	BS-L 49-66	120	55	53 - 70	94	11

Application

The types BS-L are characterized by a compact construction and are used for applications in switchgears.

The clamps type BS-L are constructed in a compact way and have a smaller cable bed. They are used in narrow spaces e.g. inside switchgears.

The type BS-3L 18-26 is a triple clamp where 3 cables next to each other can be fixed.

Accessories

Available mounting material:

BS-L 18-26

Hexagonal screws
Halfen-screws 28/15

M6x 55 / 60 V2A
M6 x 60 galv.

BS-3L 18-26

Hexagonal screws
Halfen-screws 28/15

M6x 60 V2A
M6 x 60 galv.

BS-L 25-38

Hexagonal screws
Halfen-screws 28/15

M6 x 55 / 60 / 70 V2A
M6 x 60 galv.

BS-L 30-46

Hexagonal screws
Halfen-screws 28/15

M8 x 70 V2A
M8 x 70 V2A

BS-L 35-50

Hexagonal screws
Halfen-screws 28/15

M8 x 65 / 70 / 75 / 80V2A
M8 x 70 V2A

BS-L 49-66

Hexagonal screws
Halfen-screws 28/15

M10 x 80 V2A
M10 x 80 V2A

Further mounting material on request.