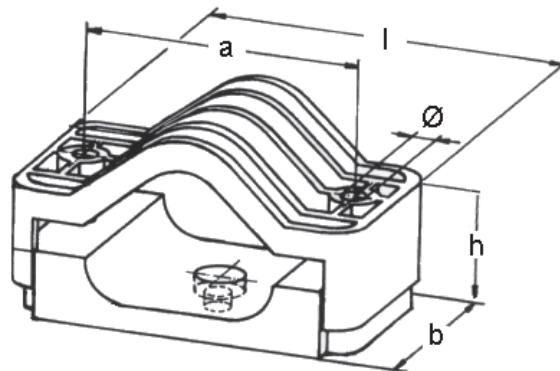


# Cable Fixing Clamps BBS



Cable Diameter (mm)	Clamp Type	l (mm)	b (mm)	h (mm)	a (mm)	Ø (mm)
25 bis 36	<b>BBS 25-36</b>	150	80	50 - 75	110	13
33 bis 46	<b>BBS 33-46</b>	170	80	50 - 75	130	13

## Application

The types BBS are used for fixing 3 single core cables in a triangle position.

The bases are equipped with hexagon M10 to protect from twisting. The additional middle hole makes it possible to fix the clamps directly to bar or wooden poles.

## Mechanical resistance to short-circuits

12500 N

## Accessories

Available mounting material:

### BBS 25-36

Hexagonal screws	M10 x 100 V2A
Halfen-screws 28/15	M10 x 80 V2A
Halfen-screws 40/22	M12 x 100 galv.

### BBS 33-46

Hexagonal screws	M10 x 100 V2A
Halfen-screws 28/15	M10 x 80 V2A
Halfen-screws 40/22	M10 x 100 galv.

Further mounting material on request.